

High-Density Portable Audience Chairs

- Engineered for arenas, theaters, amphitheaters, performing arts venues, and any other facility that requires high-capacity seating
- Durable X-Frame design prolongs chair life and enhances comfort
- Double tube and channel 18-gauge steel frame with 11-gauge K Brace for extra strength provide strength, durability and flexibility
- Frame is black powder-coat paint finish for maximum durability
- Black fabric or vinyl are standard, other patterns and colors are available (please confirm desired upholstery material when ordering)
- California Technical Bulletin 117 compliance is standard
- Rubber, non-marring feet formed over flat steel inserts help protect floors
- Optional uplift seat allows for safer, wider seating rows when unoccupied and easier passing when occupied
- Removable and folding armrests are available
- Standard and contour chairs have a weight limit of 450 lb (204 kg), compact chairs have a weight limit of 350 lb (159 kg)
- Ten-year limited warranty



Compact Padded Seat
234A100 - Compact padded seat with 1.5" (38 mm) padding and arced back
234A101 - Compact padded seat with 1.5" (38 mm) padding and arced back with two folding arm rests
234A102 - Compact padded seat with 1.5" (38 mm) padding and arced back with auto-uplift
234A103 - Compact padded seat with 1.5" (38 mm) padding and arced back with two folding arm rests and auto-uplift

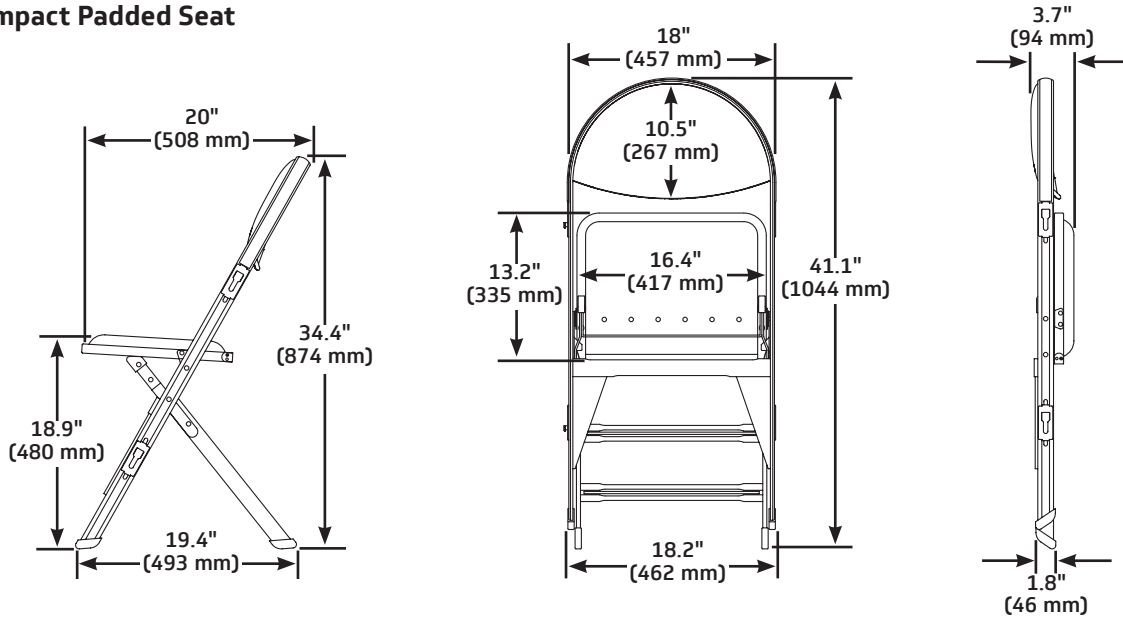
Standard Padded Seat
234A104 - Standard padded seat with 3" (76 mm) padding and arced back
234A105 - Standard padded seat with 3" (76 mm) padding and arced back with two folding arm rests
234A106 - Standard padded seat with 3" (76 mm) padding and arced back with auto-uplift
234A107 - Standard padded seat with 3" (76 mm) padding and arced back with two folding arm rests and auto-uplift

Contour Seat
234A112 - Contour seat with 3" (76 mm) padding and arced back
234A113 - Contour seat with 3" (76 mm) padding and arced back with two folding arm rests
234A114 - Contour seat with 3" (76 mm) padding and arced back with auto-uplift
234A115 - Contour seat with 3" (76 mm) padding and arced back with two folding arm rests and auto-uplift

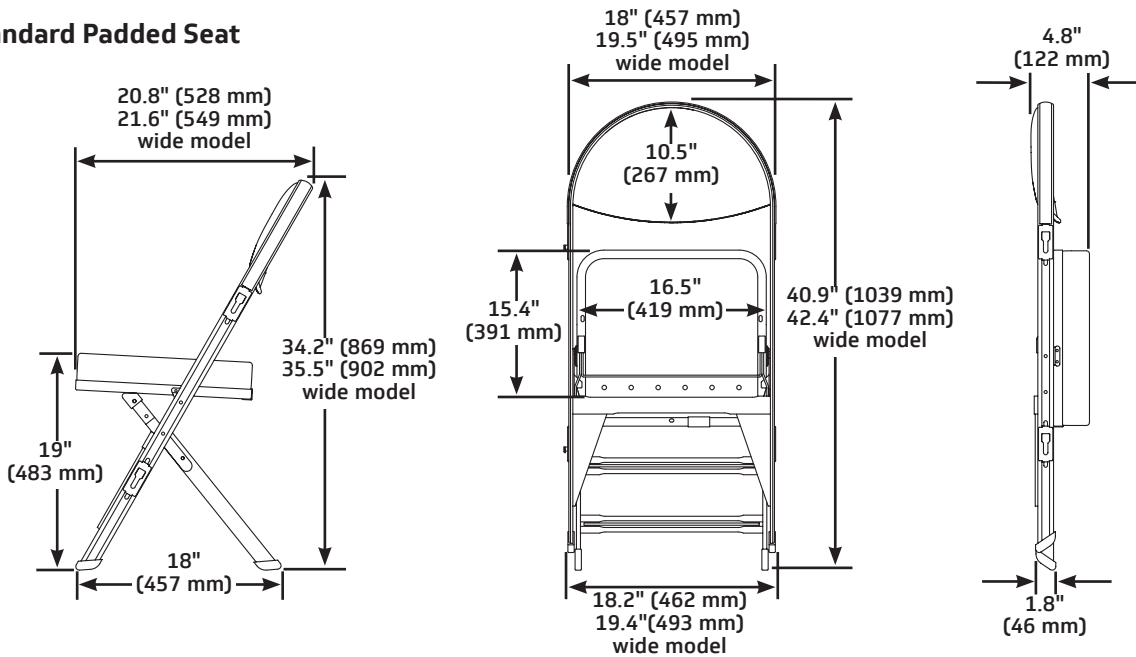
Wide Standard Padded Seat
234A108 - Standard wide padded seat with 3" (76 mm) padding and arced back
234A109 - Standard wide padded seat with 3" (76 mm) padding and arced back with two folding arm rests
234A110 - Standard wide padded seat with 3" (76 mm) padding and arced back with auto-uplift
234A111 - Standard wide padded seat with 3" (76 mm) padding and arced back with two folding arm rests and auto-uplift

Wide Contour Seat
234A116 - Contour wide seat with 3" (76 mm) padding and arced back
234A117 - Contour wide seat with 3" (76 mm) padding and arced back with two folding arm rests
234A118 - Contour wide seat with 3" (76 mm) padding and arced back with auto-uplift
234A119 - Contour wide seat with 3" (76 mm) padding and arced back with two folding arm rests and auto-uplift

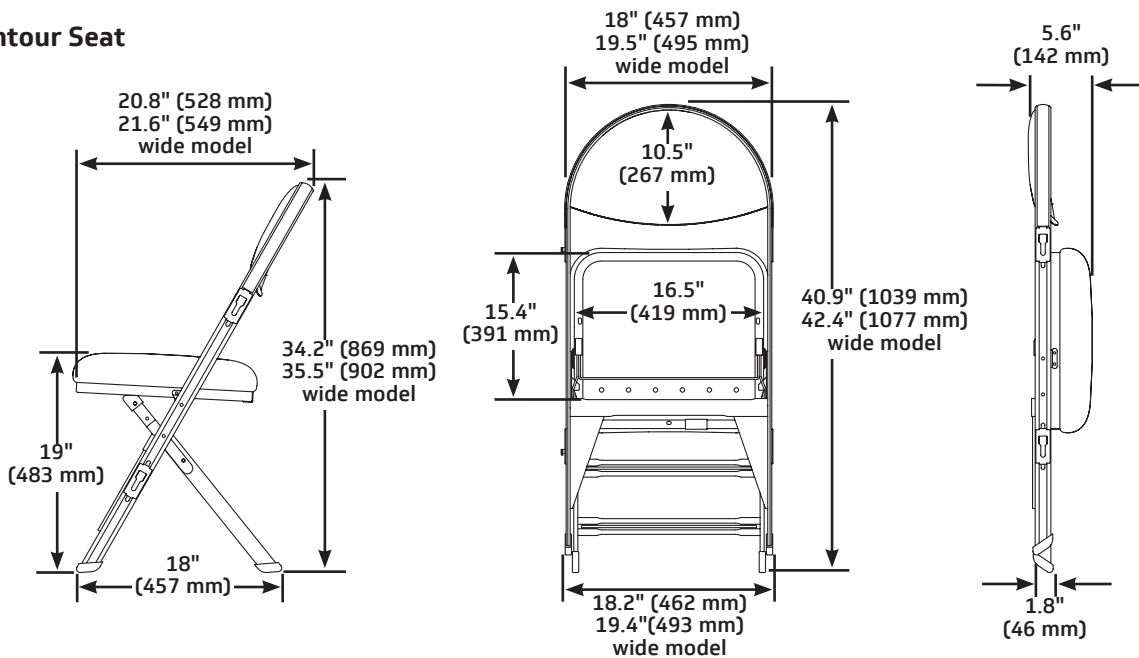
Compact Padded Seat



Standard Padded Seat



Contour Seat



Options

Armrest Options

- Armless chairs allow for the highest capacity
- Standard Arm 234A300: Add comfort and personal space
- Plastic molded or upholstered arms are available (*please confirm desired material when ordering*)
- Cup Holder Arm 234A301: Add convenience, comfort and personal space
- Folding Arms: Add comfort and personal space without having to store removable arms



**Removable
Standard Arm**



**Removable
Cup Holder Arm**



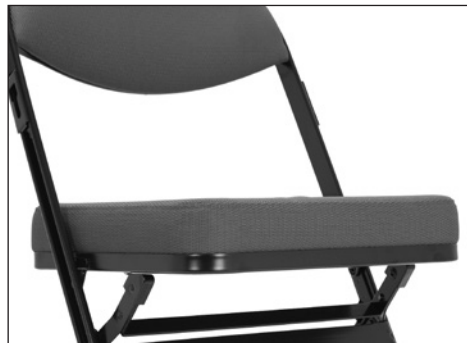
Folding Arms

Seat Options

- Compact Padded Seat: 1.5" (32 mm) padded seat has the smallest storage envelope for the highest density storage; Chair is only 3" (76 mm) thick when folded, requiring 30-40% less storage space than standard tubular frame folding chairs
- Standard Padded Seat: 3" (76 mm) padded seat provides exceptional occupant comfort
- Contour Padded Seat: Molded foam seat cushion for advanced occupant comfort



**Compact Padded Seat
1.5" (32 mm) thick**



**Standard Padded Seat
3" (76 mm) thick**



**Contour Seat
3" (76 mm) thick**

Ganging System

- Standard easy to use ganging system

Uplift Options

- Manual: seat must be lifted and lowered manually
- Automatic: additional spring returns seat to the lifted position when unoccupied



Ganging System

Uplift Options

- Manual: seat must be lifted and lowered manually
- Automatic: additional spring returns seat to the lifted position when unoccupied

Storage Carts

- Ease of transport
- Maximize storage space
- Heavy gauge steel construction

Hanging Carts

- Great for lower chair quantities
 - 234A200: Dimensions: 68.3" long x 36.1" wide x 79" high (1735 x 917 x 2007 mm)
Capacities: 60 compact padded seat chairs, 48 standard or 36 contour padded seat chairs
 - 234A201: Dimensions: 89" long x 36.1" wide x 79" high (2261 x 917 x 2007 mm)
Capacities: 80 compact padded seat chairs, 64 standard or 48 contour padded seat chairs

Vertical Storage Carts

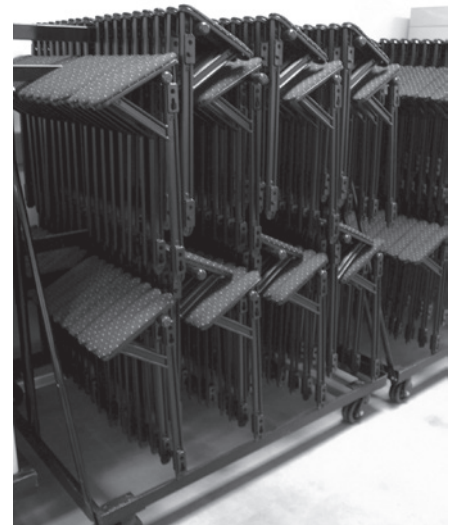
- Works well in facilities that want to store chairs under a stage
 - 234A203: Dimensions: 72" long x 21.5" or 24" wide x 39" high (1829 x 546 or 610 x 991 mm)
Capacities: 24 compact padded seat chairs, 15 standard or contour padded seat chairs
 - 234A204: Dimensions: 96" long x 21.5" or 24" wide x 39" high (2438 x 546 or 610 x 991 mm)
Capacities: 32 compact padded seat chairs, 20 standard or contour padded seat chairs
 - 234A205: Dimensions: 120" long x 21.5" or 24" wide x 39" high (3048 x 546 or 610 x 991 mm)
Capacities: 40 compact padded seat chairs, 24 standard or contour padded seat chairs

Removable Arm Cart

- 234A202: Dimensions: 58" long x 45" wide x 65" high (1473 x 1143 x 1651 mm)
Capacities: 144 arms



Hanging Cart



Removable Arm Cart



Vertical Storage Cart



© 2024 Wenger Corporation
USA/2024-03

Minnesota Location

Wenger Phone 800.4WENGER (493-6437) Wenger Worldwide +1.507.455.4100 | Parts & Service 800.887.7145 | wengercorp.com
GearBoss Phone 800.493.6437 | gearboss.com
555 Park Drive, PO Box 448 | Owatonna | MN 55060

New York Location

J.R. Clancy Phone 800.836.1885 JR Clancy Worldwide +1.315.451.3440 | jrclancy.com | 7041 Interstate Island Road | Syracuse | NY 13209